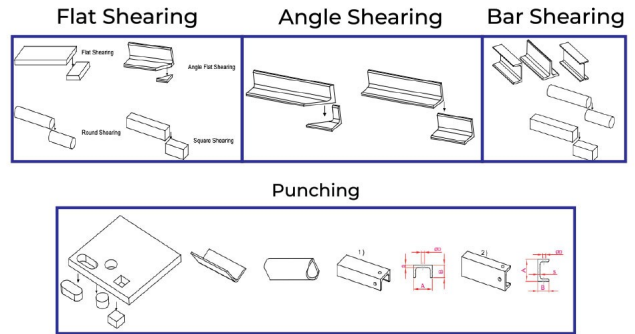
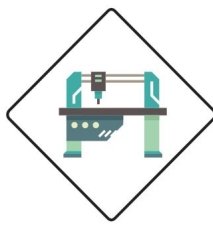


Multi Purpose Ironworker



SPECIFICATION

TONNAGE	PIW-65 Ton	PIW-85 Ton	PIW-115 Ton	PIW-155 Ton
Maximum Capacity	26 x 26mm	30 x 20mm	35 x 25mm	30 x 30mm
Diameter x Thickness	32 x 12mm	38 x 15mm	40 x 20mm	44 x 20mm
Stroke	70mm	80mm	80mm	100mm
No.of Strokes (per/min)	9~27	9~36	6~30	7~28
Throat Depth	240mm	355mm	400mm	450mm
Round	30mm	50mm	56mm	80mm
Square	30 x 30mm	50 * 50mm	56 * 56mm	80 * 80mm
Angle Sectoin(90 Degree)	120 x 120 x 12mm	160 x 160 x 15mm	180 x 180 x 14mm	200 x 200 x 18mm
Angle Section(45 Degree)	80 x 80 x 8mm	80 x 80 x 10mm	80 x 80 x 10mm	100 x 100 x 10mm
Length x Thickness	230 x 20mm	330 x 20mm	355 x 25mm	300 x 30mm
Max. Length x Thickness	375 x 10mm	480 x 10mm	600 x 15mm	750 x 8mm
Blade Length	400mm	482mm	610mm	760mm
Shearing With Angle	100 x 15mm	120 x 15mm	120 x 15mm	120 x 15mm
Thickness	10mm	13mm	13mm	16mm
Width	45mm	50mm	60mm	60mm
Length	90mm	100mm	100mm	100mm
Length x Thickness	500 x 5mm	500 x 3mm	700 x 3mm	700 x 4mm
Length x Thickness	120 x 58mm	160 x 74mm	200 x 90mm	240 x 105mm
	90 x 11mm	100 x 11mm	120 x 13mm	150 x 15mm
	4kw	5.5kw	7.5kw	11kw
	1600kg	2400kg	3100kg	5800kg
(L x W x H)	1700 x 900 x 1670	1930 x 900 x 1830	2240 x 850 x 1960	2700 x 1020 x 2116

